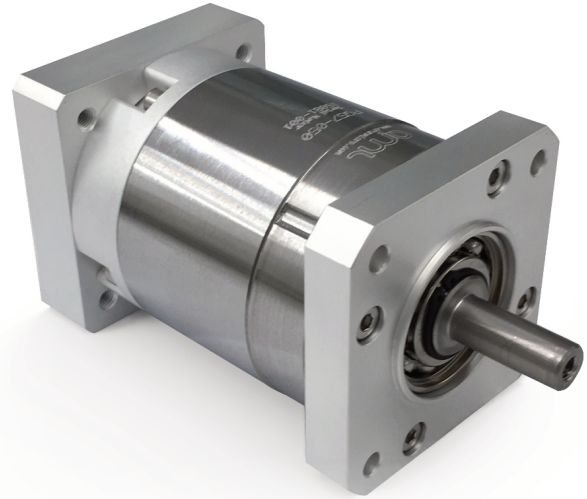


PG57 Planetary Gearhead

UHV Planetary Gearhead for use with D57 Series Stepper Motors

The PG57 series gearheads couple directly to the AML D57 stepper motor and are suitable for use in UHV environments. Primarily used for increasing resolution, torque multiplication and inertia matching. They are designed for maximum torque capacity, high efficiency and low backlash.



- Suitable for use below 1×10^{-10} mBar
- Multiple ratio options, 3:1 through 100:1
- Low inertia
- High precision, low backlash
- Service life > 10,000 hours
- Bakeable to 200°C

SPECIFICATIONS

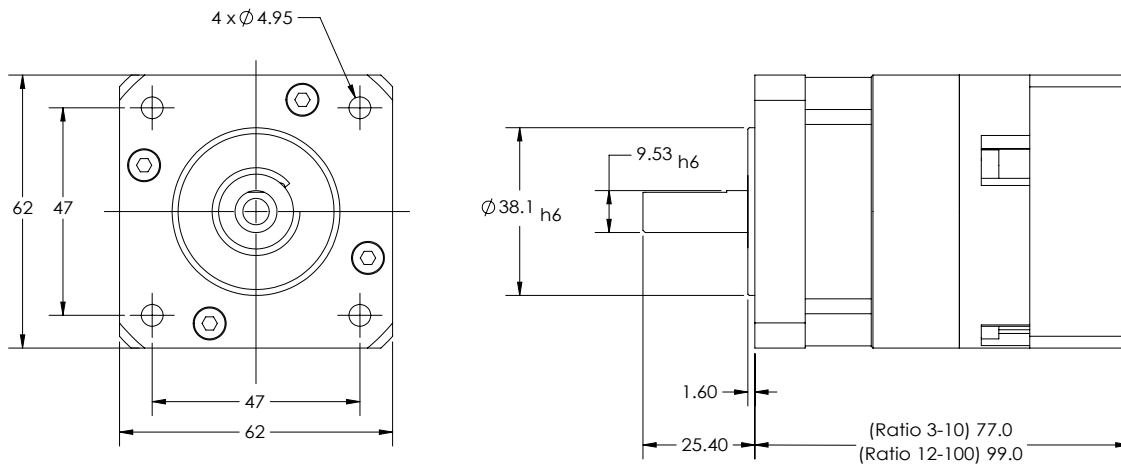
Reduction Ratio (:1)	Nominal Output Torque Nm	Maximum Acceleration Torque Nm	Gear Inertia kg-cm ²	Backlash ¹⁾ arc-min	Efficiency at nominal torque %	Radial Load ²⁾ N	Axial Load ²⁾ N	Maximum Mass kg	Lubrication
3	12.0	24.0	0.140	<12	96	665	765	1.2	Nyetorr 6300
4	18.9	36.4	0.100						
5	19.6	36.4	0.084						
7	16.7	33.4	0.075						
10	10.6	21.2	0.007						
12	18.2	36.4	0.097	<16	94	665	765	1.6	
15	19.4	36.4	0.083						
20	21.5	40.0	0.083						
25	20.0	40.0	0.083						
30	22.5	40.0	0.070						
40	21.5	40.0	0.070						
50	20.0	40.0	0.070						
70	16.7	33.4	0.070						
100	10.6	21.2	0.070						

Nominal input speed: 4500 rpm
 Maximum input speed: 8000 rpm
 Direction of rotation: Same as input
 Vacuum environment: $<1 \times 10^{-10}$
 Max. temperature: +200°C
 Min. temperature: -65°C

(1) Measured at 2% of rated torque

(2) @100rpm, radial load applied at centre of shaft

DIMENSIONS



ORDERING INFORMATION

Order Code	
PG57-XX	UHV Planetary Gearhead for AML Stepper Motors

Related Products	
D57.1	1,000 mNm UHV Stepper Motor



Arun Microelectronics Ltd.
 Unit 2, Bury Mill Farm
 Bury Gate
 PULBOROUGH
 RH20 1NN
 United Kingdom

Tel: +44 (0)1903 884141
 Email: sales@arunmicro.com

AML pursues a policy of continuous improvement and reserves the right to make detail changes to specifications without consultation. E and OE.